



LaCie 4big Quadra

DESIGN BY NEIL POULTON



Professional 4-Bay RAID

eSATA 3Gb/s, FireWire 800, FireWire 400, Hi-Speed USB 2.0

Terabytes of Power

The LaCie 4big Quadra is the most complete 4-bay RAID solution for professionals who demand exceptional performance from a storage device. Offering up to 8TB of capacity and amazing bandwidth speeds through eSATA 3Gb/s and FireWire 800, it also features FireWire 400 and Hi-Speed USB 2.0 ports for maximum compatibility with any Mac or PC. Featuring seven RAID modes to customize performance and data protection levels, the 4big Quadra fits most speed-demanding applications and backup needs for today's workstations and small servers.



RAID FLEXIBILITY

RAID NUMBER	RAID MODE	CAPACITY	PROTECTION	SPEED
0	RAID 0	100%	*****	*****
1	RAID 10	50%	*****	*****
2	Concatenation	100%	*****	*****
3	RAID 3	75%	*****	*****
4	RAID 3+Spare	50%	*****	*****
5	RAID 5	75%	*****	*****
6	RAID 5+Spare	50%	*****	*****

RAID Performance

Taking advantage of a native RAID controller that preserves computer resources, the 4big Quadra offers superior support for the most demanding applications. Pre-configured in RAID 0 for full speed and capacity, it can reach up to 230MB/s through eSATA 3Gb/s. Alternative RAID modes—such as RAID 5—can be configured in seconds on startup to manage speed, security, and available capacity.

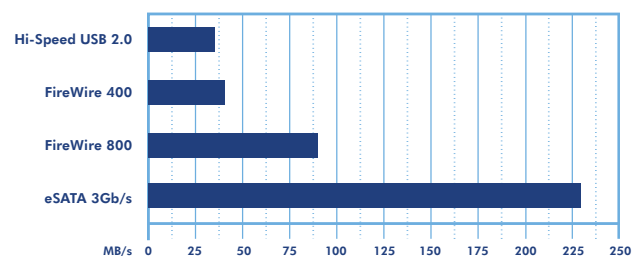
RAID Protection

Thanks to the secure RAID modes, including RAID 5, RAID 3 and RAID 10, the 4big Quadra enables you to keep data access even if one disk fails. The hot-swappable disk trays even allow maintenance without affecting your workflow. "Spare" modes allow a second level of protection; a sort of "automatic maintenance" that will immediately start rebuilding the RAID protection in case of a disk failure. Extra spare disks are also available as an option for immediate replacement.

PERFORMANCE COMPARISON

The best performance for audio/video & photo professionals.

Read Burst Transfer Rates***

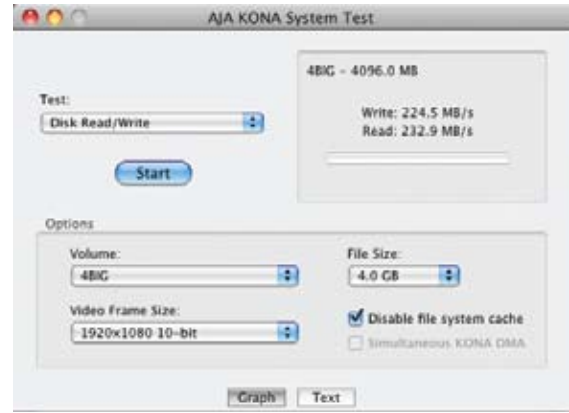


- Speed and security for audio, video, and photo professionals
- Huge capacity for backing up all of your data
- Quadruple interface for universal connectivity
- Four hot-swappable, lockable disks for non-stop data access
- Ultra-quiet cooling system for greater reliability



Audio/Video Streaming

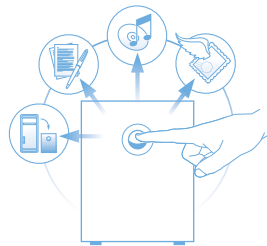
With the capacity to store hours of A/V streams, the 4big Quadra has been developed to suit the demands of digital content creators, such as editors who work with Apple Final Cut Pro®. It comes with eSATA and FireWire 800, so you can get the highest bandwidth. FireWire or iLink DV cameras can be chained via FireWire, helping you make the most of your equipment if your number of open ports is limited. When used in RAID 0 or RAID 5, the 4big Quadra supports multiple audio, DV, SD, and HD streams, and up to one stream of uncompressed 10-bit NTSC video in playback. Greater performance can even be achieved when connecting several units together to a multilane eSATA four-port host adapter, in order to support multi-stream uncompressed 10-bit 1080i HD post-production.



RAID 0 mode benchmark*



LACIE SHORTCUT BUTTON****



Launch Any Backup/Library Application In 1 Push

Photography / Pre-Press / Imaging

Configured in secured RAID mode, the 4big Quadra can archive and protect hundreds of thousands of raw photos with comfortable speed for imaging experts, such as Apple Aperture® and Adobe Creative Suite® specialists. This makes it a fantastic tool to produce and manage professional projects and artwork. The LaCie Shortcut Button on the front of the 4big makes it even easier to open or back up your favorite libraries with a push of a button.

Backup, Restore, and Recover

The 4big Quadra comes with Genie Backup Manager Pro™ for Windows and Intego Backup Manager Pro™ for Mac. This software enables you to reliably and efficiently back up your documents, emails, settings, or other digital assets. With its ease of use, you can schedule and customize the type of backup you create. Ideal for creative professionals, the Genie and Intego programs can easily find previous versions of your documents and restore them. With computer recovery options, professionals will be able to restore their configuration and to go right back to work in the event of a disaster with their workstation. It's easy to back up directly from your Mac with the native solution, since the 4big is compatible** with Time Machine®.

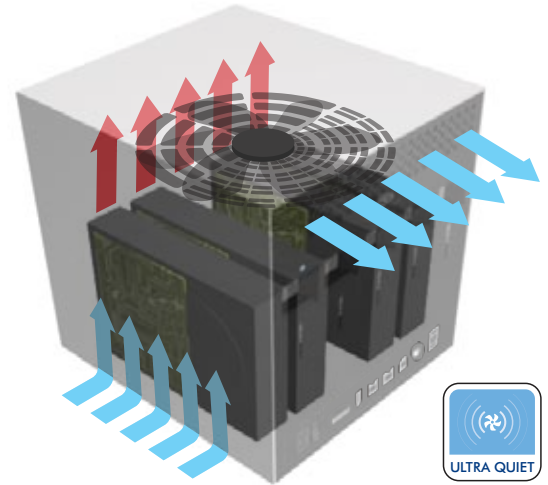


1TB* = 2 hours of uncompressed HD video or 70 hours of DVD or 77,500 raw photos**

Quiet and Reliable Operation

For the best and most reliable cooling system for the 4big Quadra, LaCie has chosen the Noctua and the NF-P12 fan technology, designed in Austria, and automatically thermoregulated by SMART commands. The nine-blade design and the vortex-control notches of the blower provide superior pressure and airflow performance, all at a volume fewer than 19dBA. The best-in-its-class Noctua is rated at 150,000 hours MTBF, and its ultra-quiet design makes it perfect for even the most noise-sensitive creative environment. This attention to detail allows the 4big Quadra to be from 30% (seek) to 46% (idle) quieter than traditional comparable systems.**

To find out more about Noctua technology, please visit www.noctua.at



Versatility and Space-saving

With the 4big Quadra, your options for storage are near limitless. Designed with a sturdy aluminum body by industrial designer Neil Poulton, the 4big Quadra has been developed to be stackable, and enhance any work environment with its space-saving abilities. Thanks to the FireWire bus, it can be daisy-chained fewer cables connected to your computer. By using a four-port eSATA multi-lane host adaptor, you can connect up to four 4big Quadra and reach up to 32TB and speeds up to 600MB/s using programs such as Apple Disk Utilities to add an extra level of RAID 0 performance.

Power Savings

Traditional RAID systems can consume a lot of power, but the 4big Quadra is different. LaCie has reduced power consumption by 30%** compared to the previous 4-disk RAID generations. Moreover, with the "Auto" mode of the triple position power button, the 4big is able to automatically go into standby mode—synchronized with the computer activity—and reduces the power consumption by up to 80%. For maintenance, the 4big can optionally be disconnected from the computer during a RAID protection rebuild—the 4big will complete the task in standalone mode, and you can switch off your computer!



Features

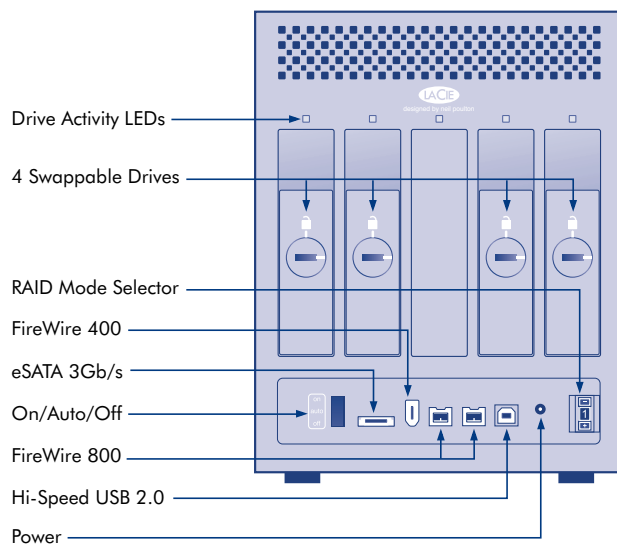
- eSATA 3Gb/s, FireWire 800, FireWire 400, USB 2.0
- RAID 0, 10, 3, 3+Spare, 5, 5+Spare, Concatenation
- Fast burst transfer rates: up to 230MB/s (eSATA)
- Sturdy aluminum design
- LaCie Shortcut Button
- Triple Power Management: Auto/On/Off
- Easy to set up: plug and play, driver-free
- Compatible with Time Machine

System Requirements

- eSATA, FireWire 800, FireWire 400 or USB ports
- Windows® XP,™ Windows Vista™
- Mac® OS 10.4 or higher™
- Minimum free disk space: 600MB recommended

Box Content

- LaCie 4big Quadra
- eSATA-to-eSATA (3Gb/s) cable
- FireWire 800 (9-to-9 pin) cable
- FireWire 400 (6-to-6 pin) cable
- Hi-Speed USB 2.0 cable (USB 1.1 compatible)
- Power supply kit
- Quick Install Guide
- LaCie Utilities and User Manual:
 - LaCie '1-Click' Backup Software for PC or Mac
 - SilverKeeper Software for automatic backup and file verification (Mac)
 - Genie Backup Manager Pro software with computer recovery for Windows 2000, XP, Vista
 - Intego Backup Manager Pro software with computer recovery for Mac OS X 10.4 and 10.5



LACIE 4BIG QUADRA SPARE DRIVE

A spare drive and drawer for use with the LaCie 4big Quadra.



Item #	301362	301364	301457	301467
Capacity	500GB	1TB	1.5TB	2TB

**ADVANCE
CARE OPTION**

Premium 3 Year Warranty

The LaCie 4big Quadra comes with a 3 Year Limited Warranty. For superior service, it also comes with an optional LaCie Advance Care Option, which can be purchased separately online within 30 days of the purchase date. Under the Advance Care Option, LaCie will immediately swap out the product without it needing to be returned first for minimal interruption of your workflow. LaCie covers all freight costs. Availability depends on the sales area. See www.lacie.com for details.



LaCie 4big Quadra

Item Number	301357	301359	301434	301435
Capacity*	2TB	4TB**	6TB**	8TB**
Interfaces	eSATA 3Gb/s, FireWire 800, FireWire 400, Hi-Speed USB 2.0			
Interface Transfer Rates (maximum theoretical bus speed)	eSATA 3Gb/s: up to 3Gbit/s (300MB/s) FireWire 800: up to 800Mbits/s (100MB/s) FireWire 400: up to 400Mbits/s (50MB/s) Hi-Speed USB 2.0: up to 480Mbits/s (60MB/s)			
Burst Transfer Rates*** (Read RAID 0 maximum drive speed)	eSATA 3Gb/s: 200-230MB/s FireWire 800: 80-90MB/s FireWire 400: 35-40MB/s Hi-Speed USB 2.0: 30-35MB/s			
Burst Transfer Rates*** (RAID 5 maximum burst transfer speed)	eSATA 3Gb/s: 190-220MB/s FireWire 800: 80-90MB/s FireWire 400: 35-40MB/s Hi-Speed USB 2.0: 30-35MB/s			
Rotational Speed / Cache*	7200 rpm / 4x16MB or greater			
Seek Time (Read)	< 10ms eSATA			
RAID Modes	Easy RAID selection: RAID 0, RAID 5, RAID 5+Spare, RAID 3, RAID 3+Spare, Concatenation, RAID 10			
LaCie Shortcut Button****	Launch any application (backup, music, slideshows) with one push			
Backup Software	Genie Backup Manager Pro software with computer recovery for Windows XP, Vista Intego Backup Manager Pro software with computer recovery for Mac OS X 10.4			
Triple Power Management	"Auto" for energy efficiency; "On" for instant access; "Off" for data protection			
Power Consumption***	Standby mode: 10,3W; idle mode: 34W; seek mode: 37W			
Power Supply	100-240Vca; 50/60Hz			
Cooling System	Ultra-quiet cooling system with self-stabilizing oil-pressure bearing technology			
Acoustic****	Standby: negligible; Idle: 25 to 28 dBA; Seek: 25 to 29 dBA****			
Dimensions	220 x 196 x 176 mm / 8.66 x 7.72 x 6.92 in.			
Weight	7.1 kg / 15.7 lbs.			
Warranty	3 Years Limited			



*1TB (Terabyte) = 1000GB. 1GB = 1000MB. 1MB = 1,000,000 Bytes. Total accessible capacity varies depending upon operating environment (Typically 10% or less for 1TB). Capacity and cache memory vary depending upon RAID mode.

**Calculations are based on 1080i 60 (8-bit) for uncompressed HD video, NTSC DV 25 standard-definition 720x486, 29.97 fps for digital video; and an estimation of Digital SLR resolution of 10 megapixels for RAW photos of 12MB. These calculations are only estimations and may vary with the codec used.

***Maximum interface transfer rate = theoretical bus bandwidth, whereas burst transfer rate = maximum drive speed. Performance depends on the RAID mode selected and burst transfer rates vary from one computer to another and may vary slightly from one drive to another. Average speed is usually lower depending on host configuration.

****The LaCie Shortcut Button feature is available via FireWire and USB but not eSATA.

*Hot-swapping is not possible in RAID 0 and concatenation modes.

**Windows XP 32bit, Mac OS before 10.4.6, and Time Machine do not recognize partitions of more than 2TB.

***These measurements are indications and may vary by $\pm 10\%$.

****This measurement has been made under normal conditions, 1 meter from the front of the product. It may vary with the condition and product configuration.

■ These measurements have been made in RAID 0 through eSATA 3Gb/s and may vary with computer and 4big configurations.

■ ■ Indicative reference, when compared with the previous generation LaCie Biggest RAID tower.

Adobe and Adobe Creative Suite are registered trademarks of Adobe Systems Incorporated in the U.S. and/or other countries. Apple, Aperture, Final Cut Pro, Time Machine, and Mac OS are trademarks of Apple Inc., registered in the U.S. and other countries.

© 2009, LaCie. The LaCie logo is a trademark of LaCie. Other products and brand names mentioned herein may be trademarks or registered trademarks of their respective owners. Specifications and appearance are given as guidelines and may change without notice.
www.lacie.com 090424

